

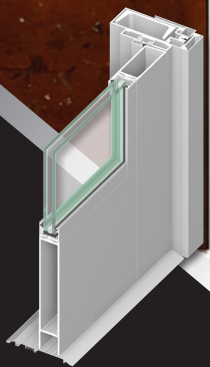
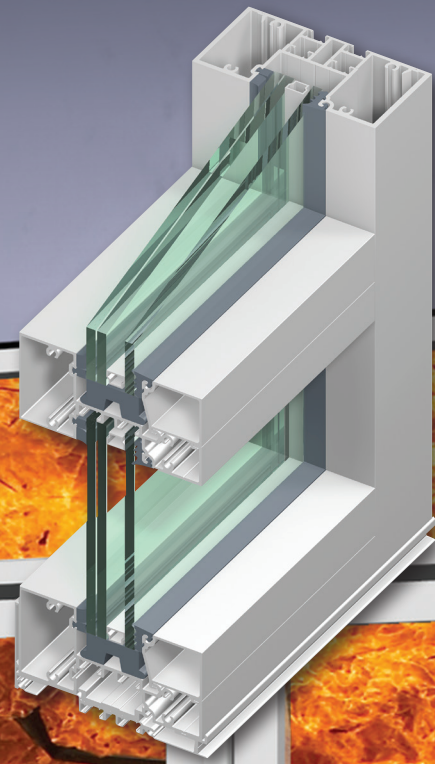


Tubelite ForceFront® Blast E/T34000 Storefront

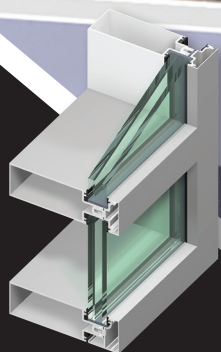
Tubelite ForceFront® Blast E/T34000 Storefront is designed for compliance requirements. This blast resistant screw-spline framing is designed to be glazed with 1-5/16" laminated glass positioned in the center of the frame.

ForceFront standard and monumental stile entrances compliment the 34000 storefront system providing a complete blast resistant system that's easy to fabricate and install.

A complete evaluation performed by a Professional Engineer is required for each project.



ForceFront® Blast Monumental Wide Stile Doors



ForceFront® Blast Curtainwall

ALSO
USED
WITH

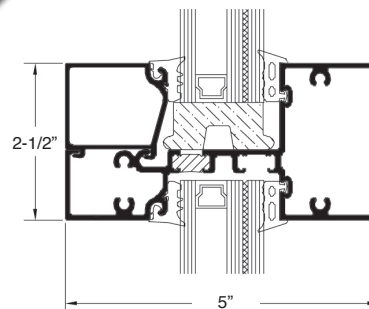
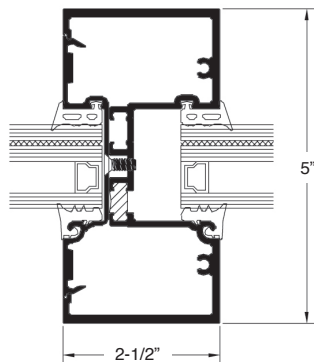
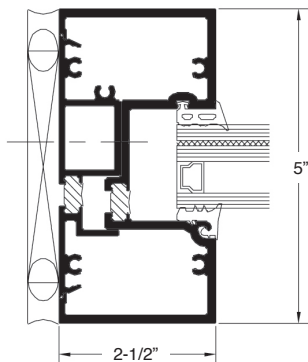
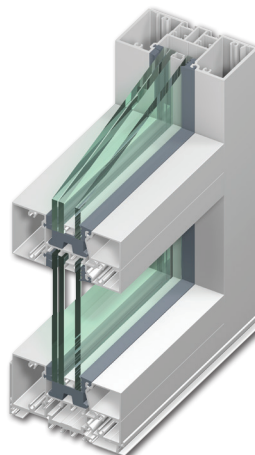
TUBELITE®

DEPENDABLE

LEADERS IN ECO-EFFICIENT STOREFRONT,
CURTAINWALL AND ENTRANCE SYSTEMS

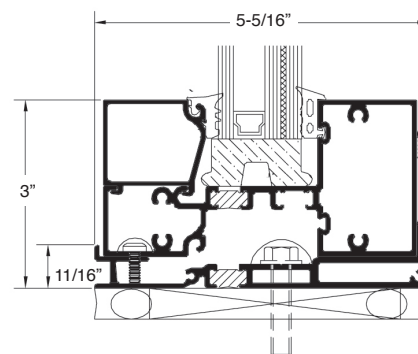


Tubelite ForceFront® Blast E/T34000 Storefront



Door glass is 9/16" - 1-3/16" thickness.

Storefront glass is 1-5/16" thickness.



System Features:

- Improved thermal performance
- Additional glazing options
- Higher load capacity
- Easier installation
- Each project must be analyzed separately for compliance based on its unique factors

ForceFront® Blast Standard and Monumental Entrance Doors:

- 4'0" x 8'0" single doors through 8'0" x 8'0" pairs

Tubelite® FFB E/T34000 Storefront

Application: Low and mid-rise commercial buildings including retail, office, healthcare, schools, etc.

Description: 2-1/2" x 5" field glazed, screw spline construction blast resistant storefront.

Frame Width:	Overall Depth	Glass Thickness	Air Infiltration	Structural: Blast Hazard Mitigation	Water Infiltration	U-Factor:**	CRF:	Sound Transmission
2-1/2"	5"	1-3/16" to 1-5/16"	0.06 CFM/Ft.2@ 6.24 PSF	Charge I - 121' standoff Charge II - 50' standoff	15 PSF – Static 15 PSF – Dynamic	0.37	59 frame 69 glass	36 STC 32 OITC

** U-Factor per NFRC 100: COG = 0.24 with warm edge spacer, 1-3/4" x 4-1/2" non-thermal frame.

Refer to the U-Factor table at: www.tubeliteinc.com/products/storefront/forcefront-blast-et34000-storefront/ for other glass makeups and configurations.

DISCLAIMER: Tubelite takes no responsibility for product selection or application, including, but not limited to, compliance with building codes, safety codes, laws, merchantability or fitness for a particular purpose; and further disclaims all liability for the use, in whole or in part, of this Technical Guide in preparation of project specifications and/or other documents. Technical Guides are subject to change at any time, without notice, and at Tubelite's sole discretion. ©2017 Tubelite Inc.

060321

TUBELITE®

DEPENDABLE

LEADERS IN ECO-EFFICIENT STOREFRONT, CURTAINWALL AND ENTRANCE SYSTEMS