

## Phantom Vent 5000

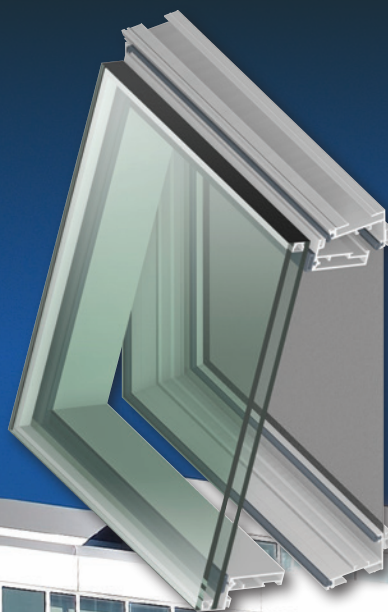
Let fresh air into your building with these zero sight line windows that install easily into Tubelite's curtainwall and window wall products.

Available in awning and casement configurations and large sizes, the Architectural Grade (AW) Phantom windows provide excellent thermal, structural, air, and water performance.

The concealed frame design is virtually invisible for the exterior of the building providing a consistent appearance of fixed lites. Hinging options allow opening from the bottom or side of the window. Screens are available with frames to match the window.

# ThermalBlock

**HIGH PERFORMANCE THERMAL FRAMING**



Project: Centrum Bucktown, Chicago, IL, Erector: Northern Glass, Finish: Clear Ano

**900RW Series  
Thermal Ribbon  
Window**

**ALSO  
USED  
WITH**

**TerraPorte 7600  
Terrace Door**

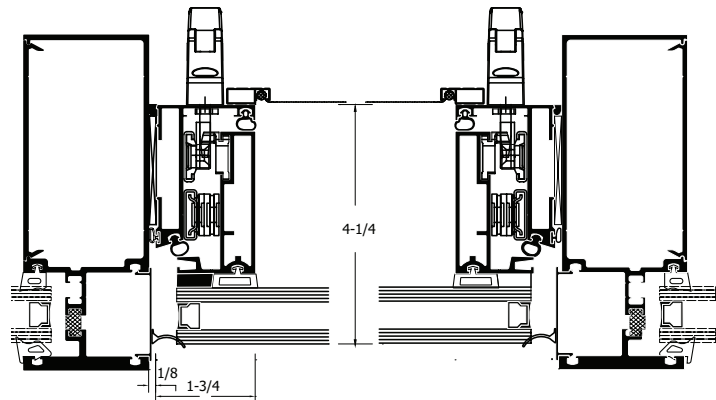
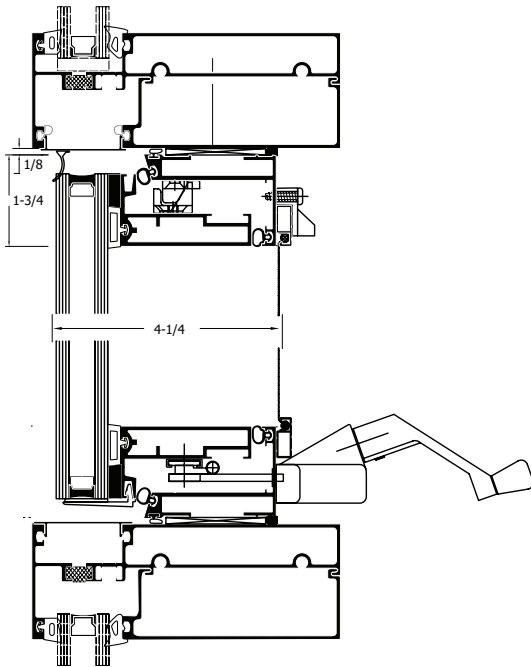
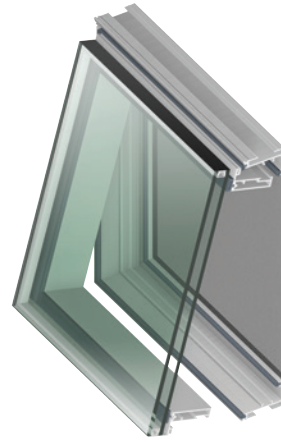
# TUBELITE®

**DEPENDABLE**

LEADERS IN ECO-EFFICIENT STOREFRONT,  
CURTAINWALL AND ENTRANCE SYSTEMS

# Phantom Vent 5000 Projecting Operable Window

**ThermalBlock**  
HIGH PERFORMANCE THERMAL FRAMING



## Features & Options:

- A "Zero sight line" vent that allows random placement of operable windows
- Awning and casement styles
- Accommodates SSG applications
- "Euro-Groove" multi-point locking hardware options
- Multi-chambered rain screen, pressure equalized design
- Factory fabricated
- Owners, Consultants and Authorized Dealers can rest assured that Phantom Vent 5000 has been rigorously tested to all applicable standards of performance with superb results (CSA – A440; AAMA –AW85)

### Phantom Vent 5000 Zero Sight Line Window Product Specifications

**Application:** Mid-rise residential projects, condominiums, hotels, offices, and schools

**Description:** Awning and Casement Out-swing Zero Sight Line vents

Performance Class:	System Depth:	Glass:	Air Infiltration:	Water Infiltration:	Structural:	CRF:	U-Factor**:	Acoustic:	Max. Sizes
Awning: AW-PG85 Casement: AW-PG90	4-1/4"	1"	0.1 CFM / Ft.2 @ 6.24 PSF	15 PSF	Awning: 85 PSF / 127.5 PSF Casement: 90 PSF / 135 PSF)	Awning 77 SSG CW Awning 79 Captured CW Casement 76 SSG CW Casement 78 Captured CW	Awning 0.35 SSG CW Awning 0.43 Captured CW Casement 0.34 SSG CW Casement 0.41 Captured CW	STC 33 OITC 26	Awning: 78"W x 49"H 37"W x 78"H Casement: 27"W x 84"H 35"W x 64"H

\*\* U-Factor per NFRC 100: COG = 0.24 with warm edge spacer, 1-3/4" x 4-1/2" non-thermal frame.

Refer to the U-Factor table at: [www.tubeliteinc.com/products/operable-windows/phantom-vent-5000/](http://www.tubeliteinc.com/products/operable-windows/phantom-vent-5000/) for other glass makeups and configurations.

DISCLAIMER: Tubelite takes no responsibility for product selection or application, including, but not limited to, compliance with building codes, safety codes, laws, merchantability or fitness for a particular purpose; and further disclaims all liability for the use, in whole or in part, of this Technical Guide in preparation of project specifications and/or other documents. Technical Guides are subject to change at any time, without notice, and at Tubelite's sole discretion. ©2017 Tubelite Inc.

042222

**TUBELITE**<sup>®</sup>  
**DEPENDABLE**

LEADERS IN ECO-EFFICIENT STOREFRONT,  
CURTAINWALL AND ENTRANCE SYSTEMS