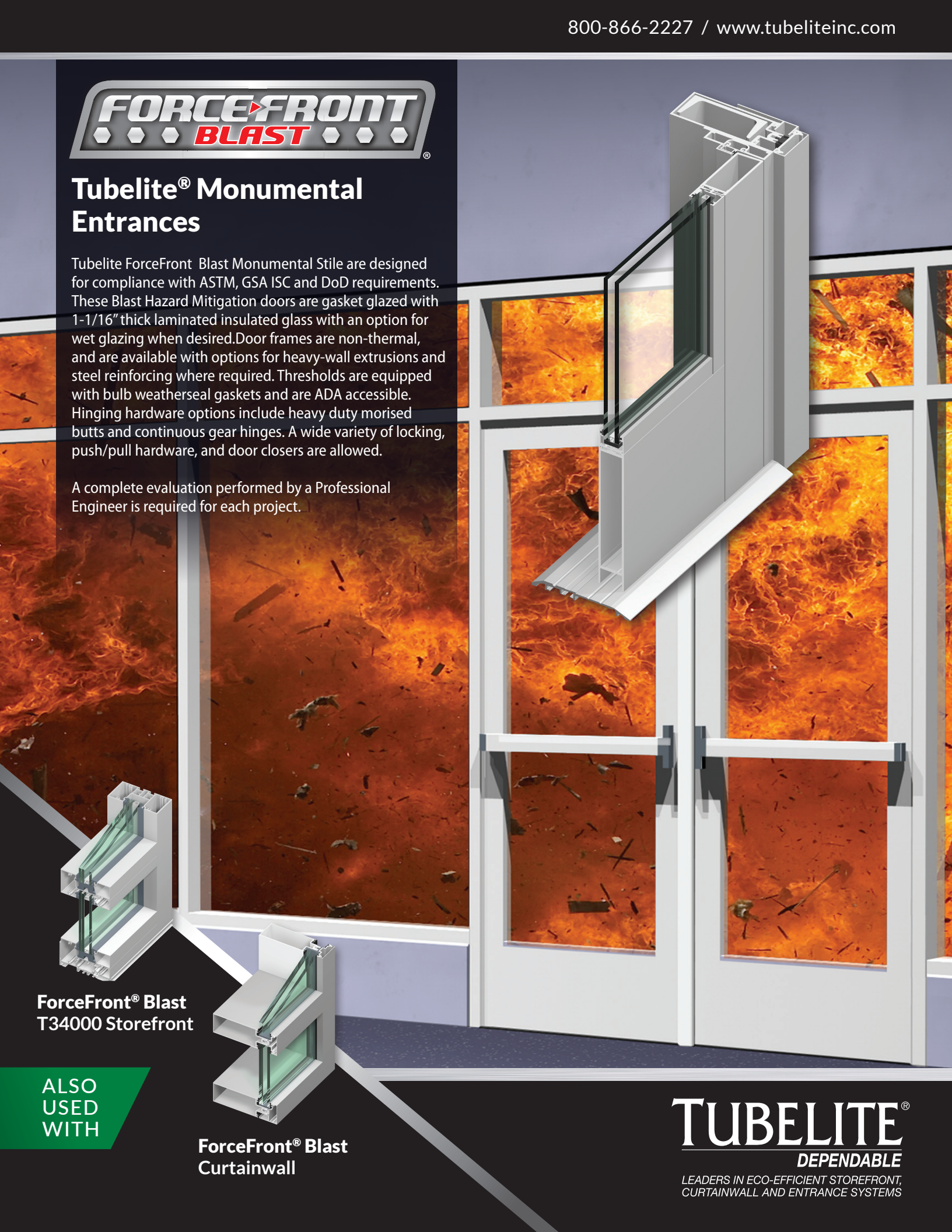




Tubelite® Monumental Entrances

Tubelite ForceFront Blast Monumental Stile are designed for compliance with ASTM, GSA ISC and DoD requirements. These Blast Hazard Mitigation doors are gasket glazed with 1-1/16" thick laminated insulated glass with an option for wet glazing when desired. Door frames are non-thermal, and are available with options for heavy-wall extrusions and steel reinforcing where required. Thresholds are equipped with bulb weatherseal gaskets and are ADA accessible. Hinging hardware options include heavy duty morised butts and continuous gear hinges. A wide variety of locking, push/pull hardware, and door closers are allowed.

A complete evaluation performed by a Professional Engineer is required for each project.



ForceFront® Blast
T34000 Storefront

ForceFront® Blast
Curtainwall

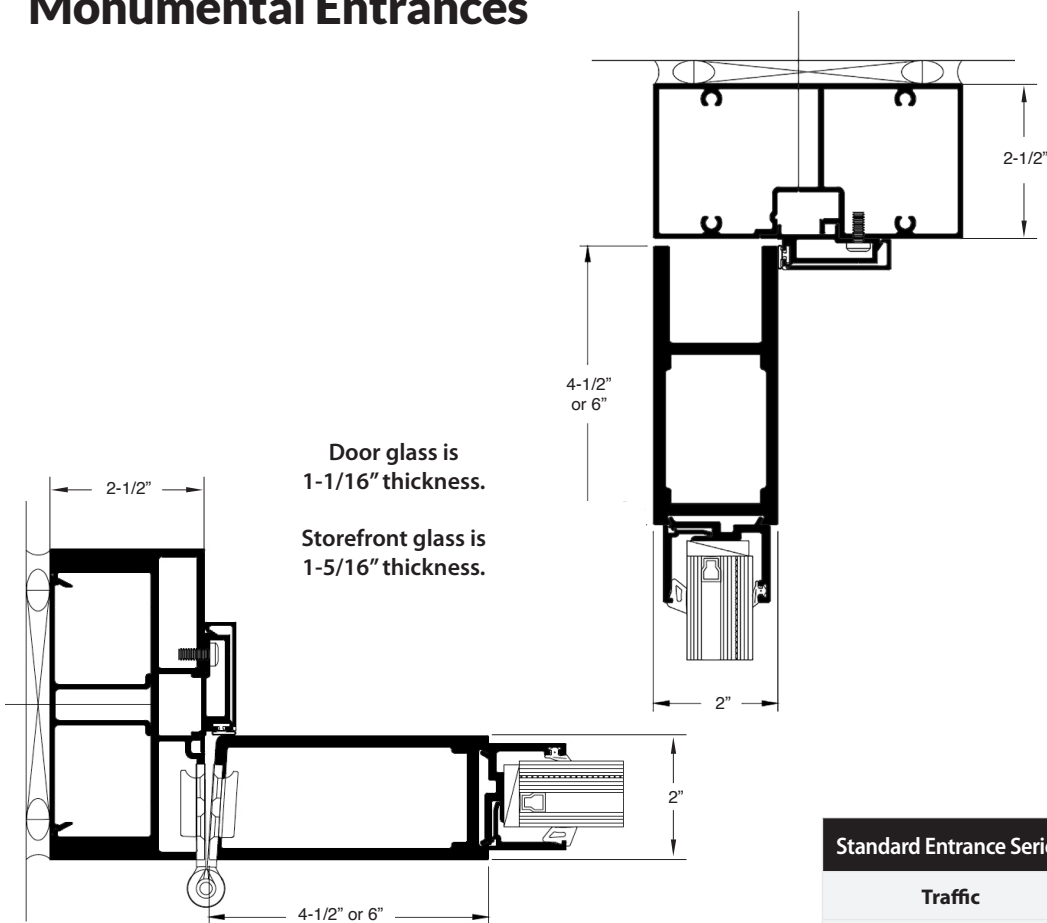
ALSO
USED
WITH

TUBELITE®
DEPENDABLE

LEADERS IN ECO-EFFICIENT STOREFRONT,
CURTAINWALL AND ENTRANCE SYSTEMS



Tubelite ForceFront® Blast Monumental Entrances



- Blast loads - up to 36 psi - 84 psi*msec
- Door Opening Sizes from Single 3'0" x 7'0" to Double 8'0" x 8'0"
- 1-3/4" depth enabling a variety of hardware options
- In house technical support to assist with project requirements
- Standard 2 year warranty can be extended to 10 years

Standard Entrance Series	Medium Stile	Wide Stile
Traffic	Heavy	Heavy
Vertical Stile 2" x	4-1/2"	6"
Top Rail 2" x	4-1/2"	6"
Bottom Rail 2" x	10"	10"
Maximum Sizes	Single: 4'0" x 8'0" Pair: 8'0" x 8'0"	Single: 4'0" x 8'0" Pair: 8'0" x 8'0"

Tubelite® FFB Monumental Stile Entrances

Application: Schools, Universities, Hospitals, Offices, Billiting, Command and Control, Maintenance, and Training Facilities
Description: Medium Stile 4-1/2" and Wide Stile 6" models; top rails in 4-1/2" and 6" heights; and bottom rails in 10" for ADA compliance

Glass:	Air Infiltration:	Structural: Blast Hazard Mitigation	U-Factor** Single Door:	U-Factor** Double Door:
9/16", 11/16" lami 1-1/16", 1-3/16" insulated	1.0 CFM / Ft.2 @ 1.57 PSF	up to 36 psi - 84 psi* msec Charge I - 76' standoff Charge II - 32' standoff	Medium: 0.78 Wide: 0.82	Medium: 0.73 Wide: 0.77

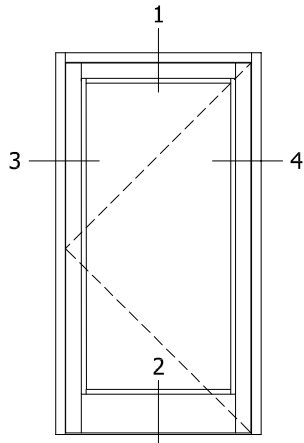
** U-Factor per NFRC 100: COG = 0.24 with warm edge spacer, 1-3/4" x 4-1/2" non-thermal frame.

060321



LEADERS IN ECO-EFFICIENT STOREFRONT, CURTAINWALL AND ENTRANCE SYSTEMS

MON MS BLAST ENTRANCE

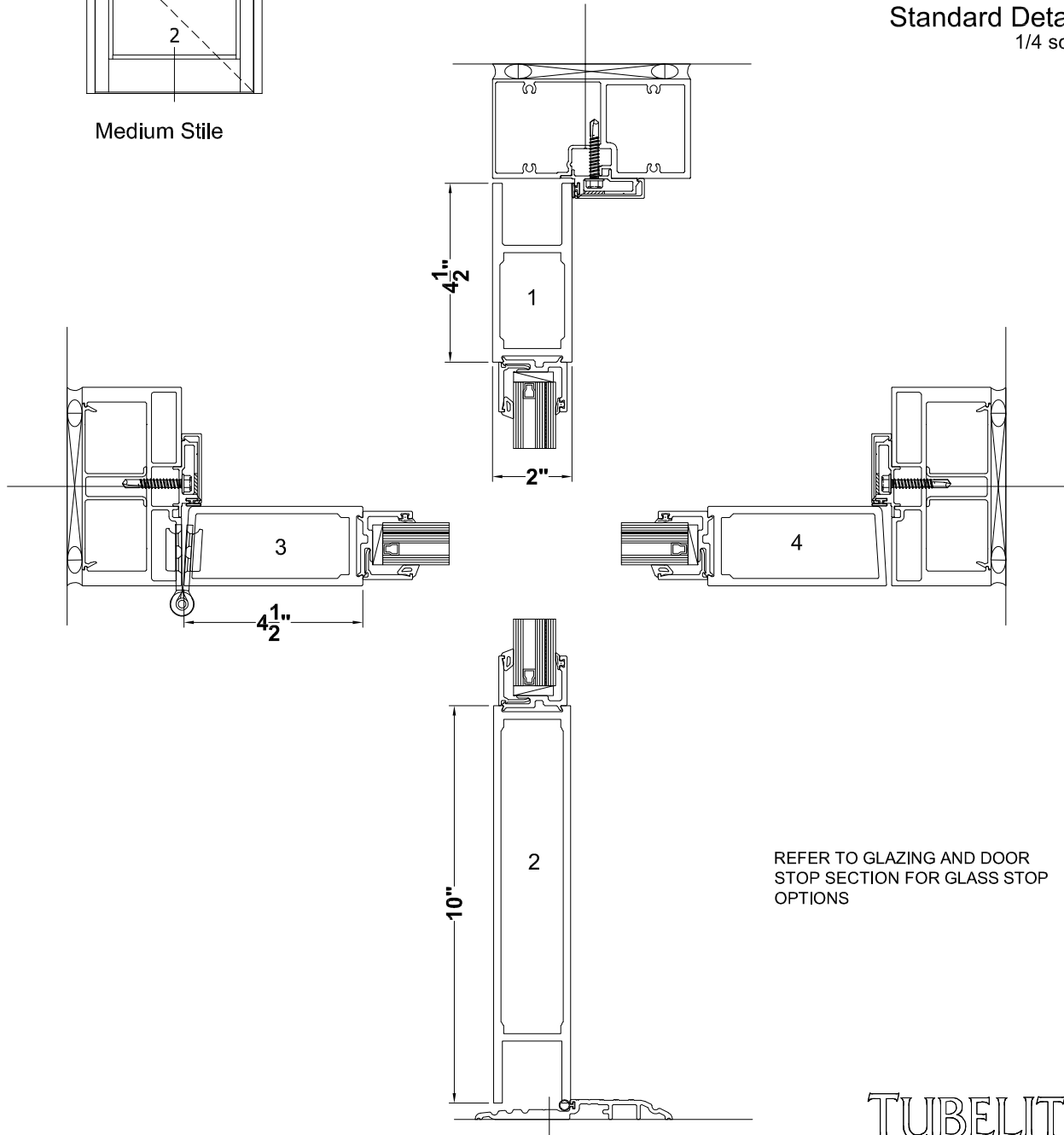


Medium Stile

Tubelite reserves the right to change system configuration without prior notice when deemed necessary for product improvements.

Laws and building & safety codes governing the design and use of glazed entrance, window and curtain wall systems vary widely. Tubelite does not control the selection of product configurations, operating hardware or glazing materials, and assumes no responsibility thereof.

Standard Details 1/4 scale



REFER TO GLAZING AND DOOR STOP SECTION FOR GLASS STOP OPTIONS

TUBELITE®
DEPENDABLE
LEADERS IN ECO-EFFICIENT STOREFRONT,
CURTAINWALL AND ENTRANCE SYSTEMS

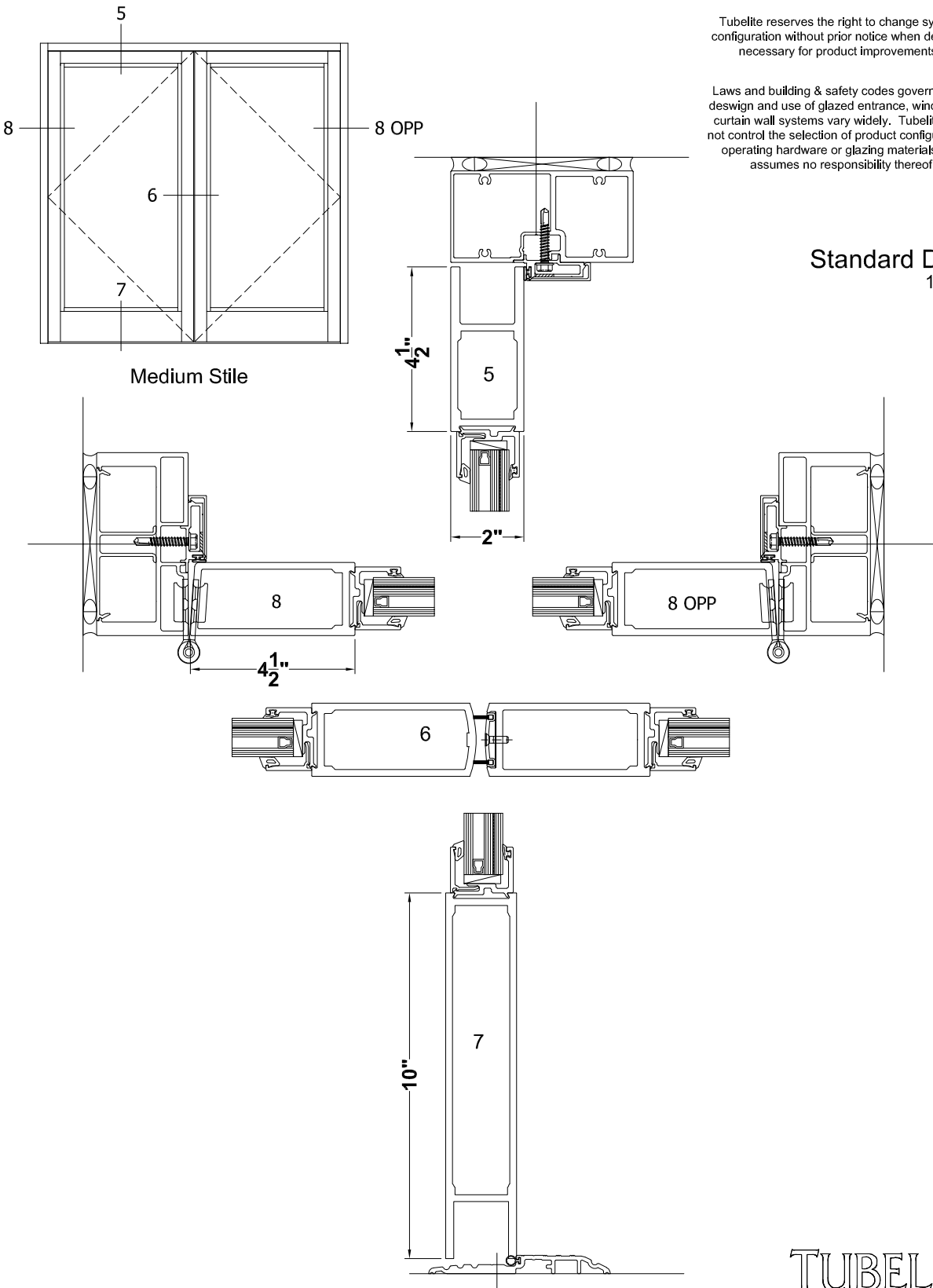
April 2021

For specific product applications, contact your Tubelite representative.

Details on this page represent standard details found on our website.

For more options, visit our website at www.tubeliteinc.com/forcefront-storm-monumental-medium-stile-entrance

MON MS BLAST ENTRANCE



Tubelite reserves the right to change system configuration without prior notice when deemed necessary for product improvements.

Laws and building & safety codes governing the design and use of glazed entrance, window and curtain wall systems vary widely. Tubelite does not control the selection of product configurations, operating hardware or glazing materials, and assumes no responsibility thereof.

Standard Details
1/4 scale

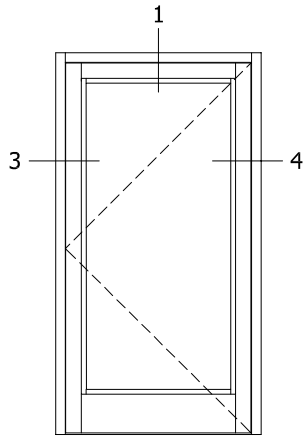
April 2021

TUBELITE®
DEPENDABLE
LEADERS IN ECO-EFFICIENT STOREFRONT,
CURTAINWALL AND ENTRANCE SYSTEMS

For specific product applications, contact your Tubelite representative.
Details on this page represent standard details found on our website.

For more options, visit our website at www.tubeliteinc.com/forcefront-storm-monumental-medium-stile-entrance

MON MS BLAST ENTRANCE

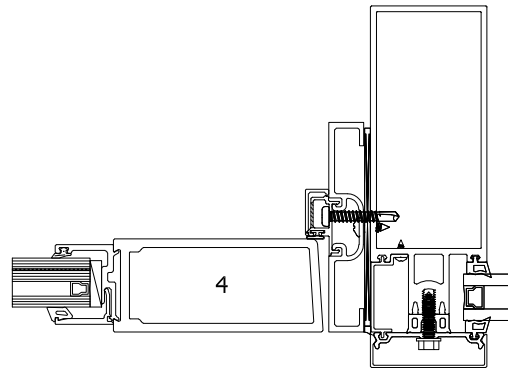
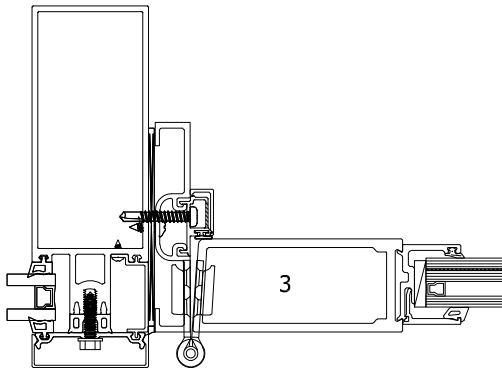
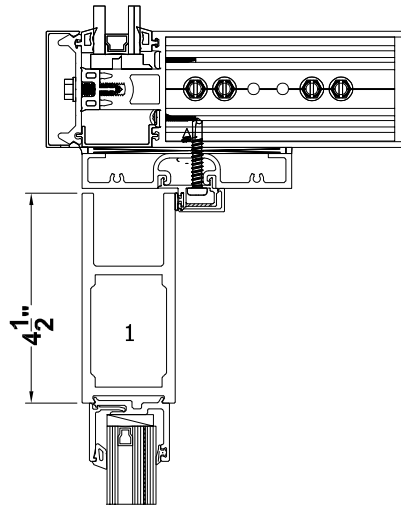


Medium Stile

Tubelite reserves the right to change system configuration without prior notice when deemed necessary for product improvements.

Laws and building & safety codes governing the design and use of glazed entrance, window and curtain wall systems vary widely. Tubelite does not control the selection of product configurations, operating hardware or glazing materials, and assumes no responsibility thereof.

Optional Details 1/4 scale



April 2021

TUBELITE[®]
DEPENDABLE
LEADERS IN ECO-EFFICIENT STOREFRONT,
CURTAINWALL AND ENTRANCE SYSTEMS

For specific product applications, contact your Tubelite representative.
Details on this page represent standard details found on our website.

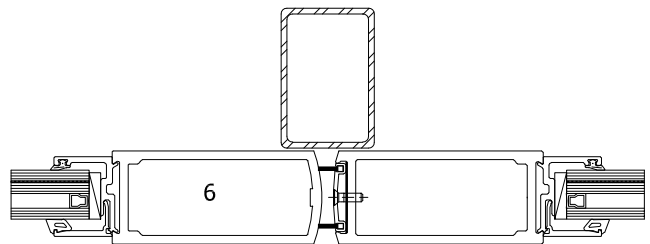
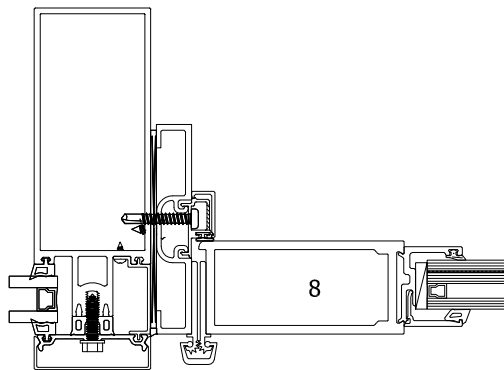
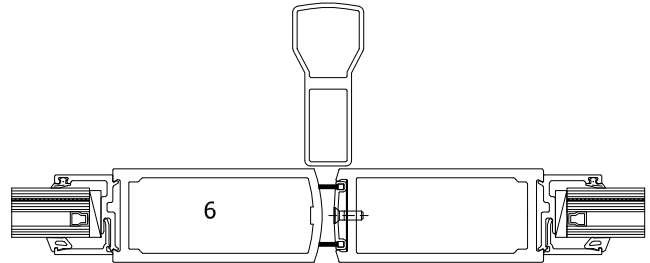
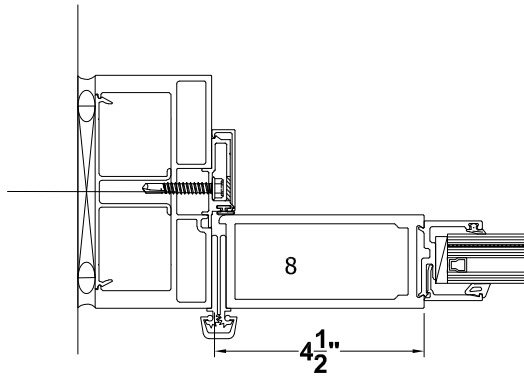
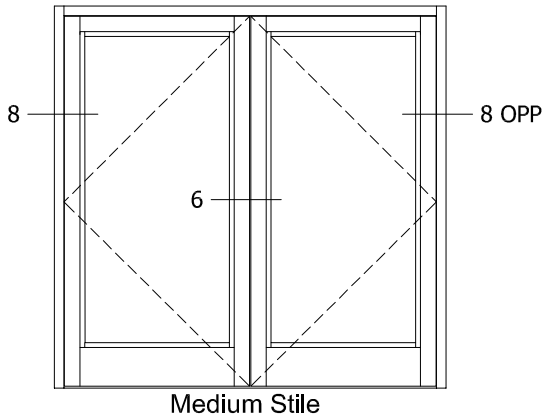
For more options, visit our website at www.tubeliteinc.com/forcefront-storm-monumental-medium-stile-entrance

MON MS BLAST ENTRANCE

Tubelite reserves the right to change system configuration without prior notice when deemed necessary for product improvements.

Laws and building & safety codes governing the design and use of glazed entrance, window and curtain wall systems vary widely. Tubelite does not control the selection of product configurations, operating hardware or glazing materials, and assumes no responsibility thereof.

Optional Details 1/4 scale



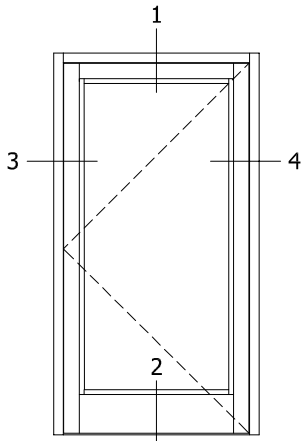
TUBELITE®
DEPENDABLE
LEADERS IN ECO-EFFICIENT STOREFRONT,
CURTAINWALL AND ENTRANCE SYSTEMS

April 2021

For specific product applications, contact your Tubelite representative.
Details on this page represent standard details found on our website.

For more options, visit our website at www.tubeliteinc.com/forcefront-storm-monumental-medium-stile-entrance

MON WS BLAST ENTRANCE

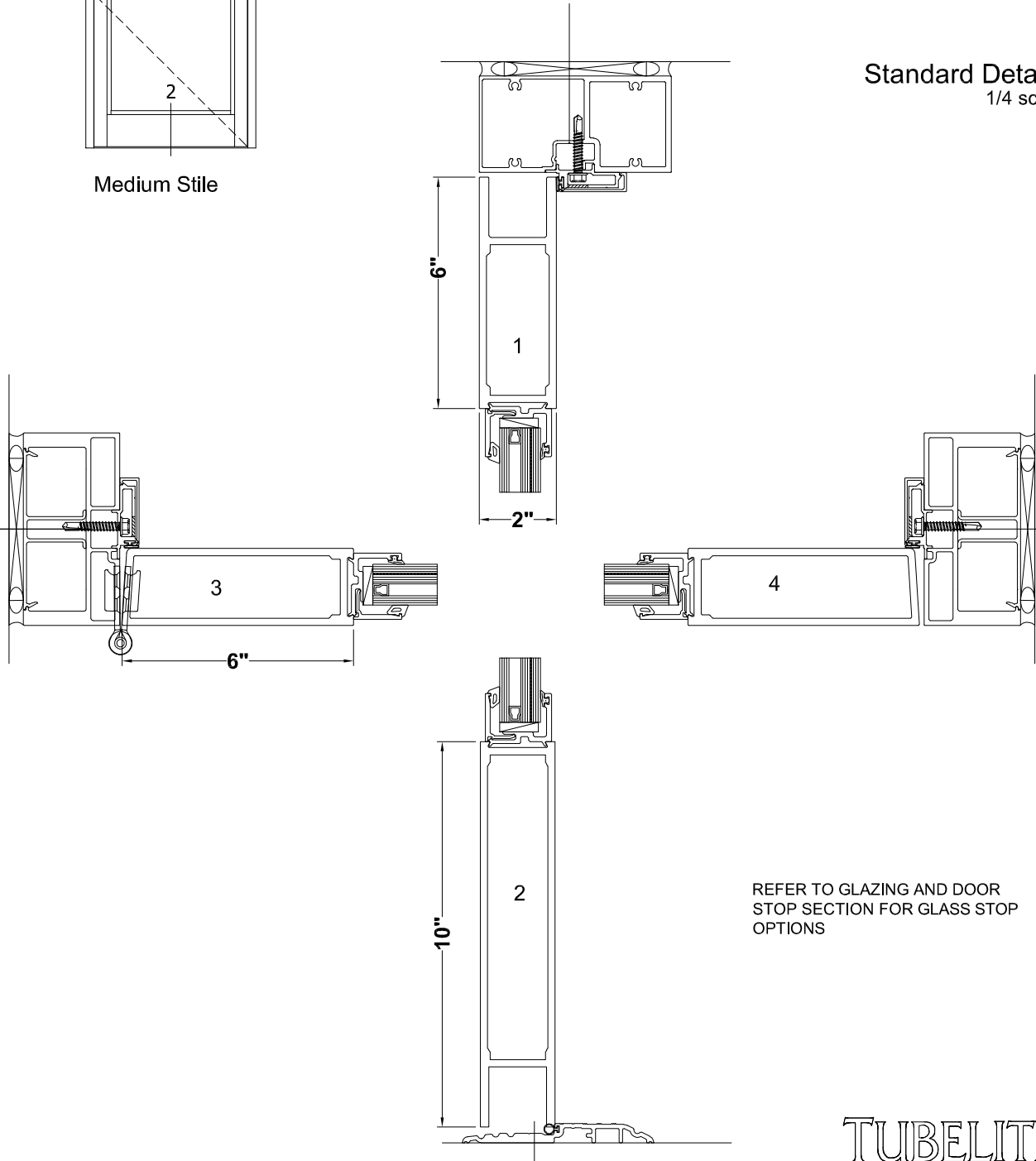


Medium Stile

Tubelite reserves the right to change system configuration without prior notice when deemed necessary for product improvements.

Laws and building & safety codes governing the design and use of glazed entrance, window and curtain wall systems vary widely. Tubelite does not control the selection of product configurations, operating hardware or glazing materials, and assumes no responsibility thereof.

Standard Details
1/4 scale

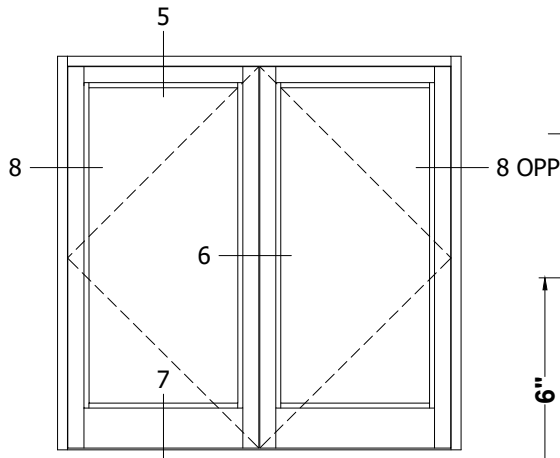


REFER TO GLAZING AND DOOR STOP SECTION FOR GLASS STOP OPTIONS



April 2021

For specific product applications, contact your Tubelite representative.
 Details on this page represent standard details found on our website.
 For more options, visit our website at www.tubeliteinc.com/forcefront-storm-monumental-medium-stile-entrance

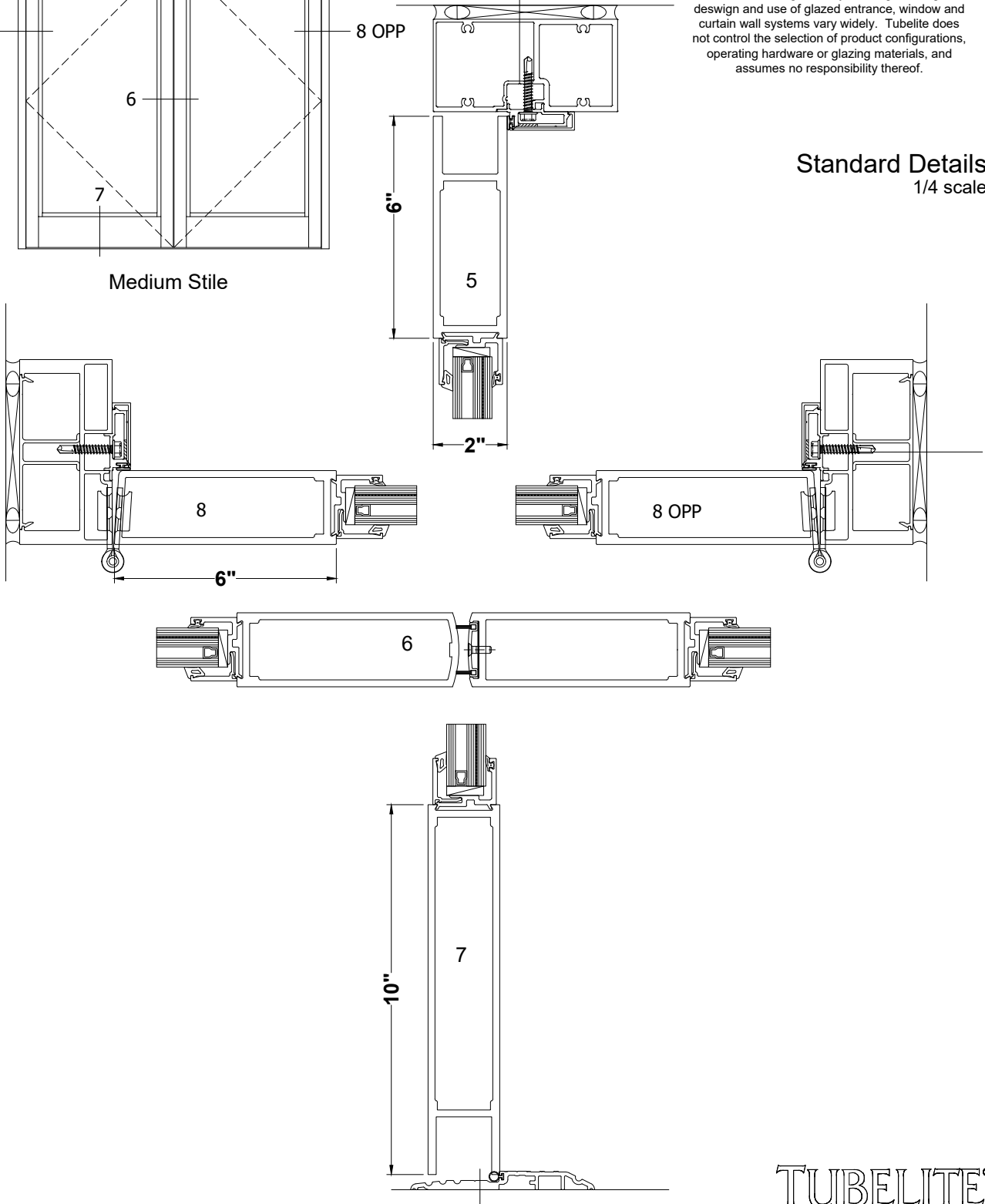


Medium Stile

Tubelite reserves the right to change system configuration without prior notice when deemed necessary for product improvements.

Laws and building & safety codes governing the design and use of glazed entrance, window and curtain wall systems vary widely. Tubelite does not control the selection of product configurations, operating hardware or glazing materials, and assumes no responsibility thereof.

Standard Details
1/4 scale



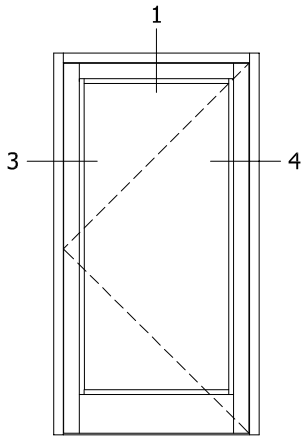
April 2021

TUBELITE[®]
DEPENDABLE
LEADERS IN ECO-EFFICIENT STOREFRONT,
CURTAINWALL AND ENTRANCE SYSTEMS

For specific product applications, contact your Tubelite representative.
Details on this page represent standard details found on our website.

For more options, visit our website at www.tubeliteinc.com/forcefront-storm-monumental-medium-stile-entrance

MON WS BLAST ENTRANCE

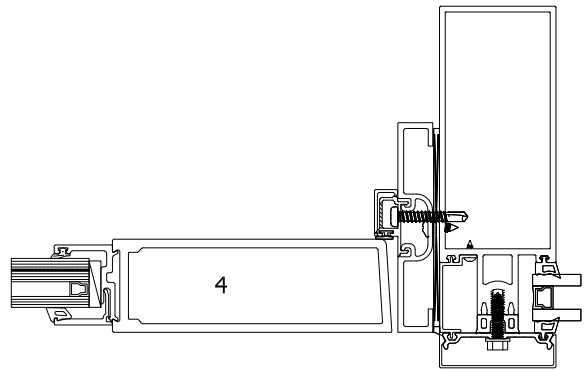
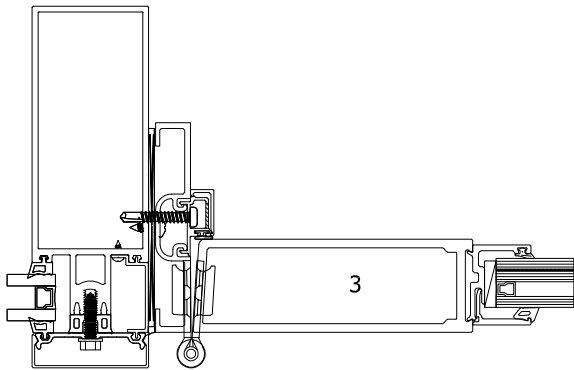
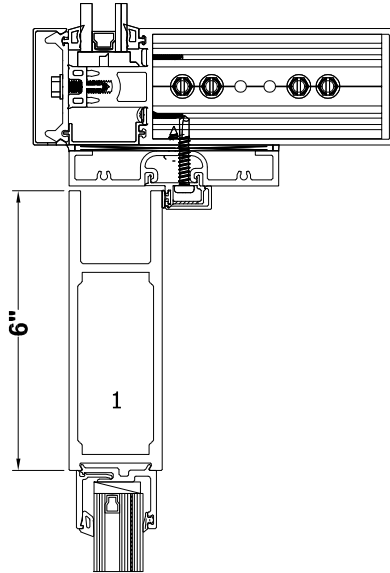


Medium Stile

Tubelite reserves the right to change system configuration without prior notice when deemed necessary for product improvements.

Laws and building & safety codes governing the design and use of glazed entrance, window and curtain wall systems vary widely. Tubelite does not control the selection of product configurations, operating hardware or glazing materials, and assumes no responsibility thereof.

Optional Details 1/4 scale



April 2021

TUBELITE®
DEPENDABLE
LEADERS IN ECO-EFFICIENT STOREFRONT,
CURTAINWALL AND ENTRANCE SYSTEMS

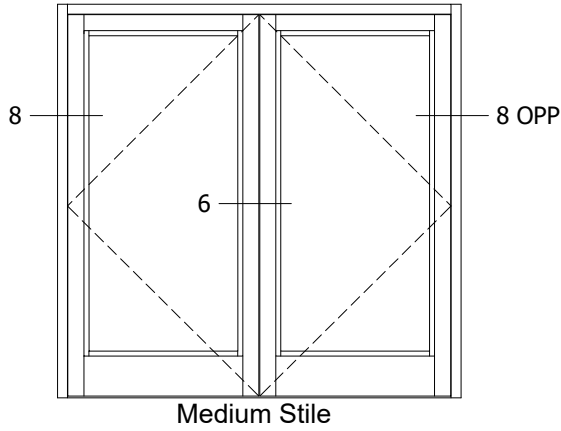
For specific product applications, contact your Tubelite representative.

Details on this page represent standard details found on our website.

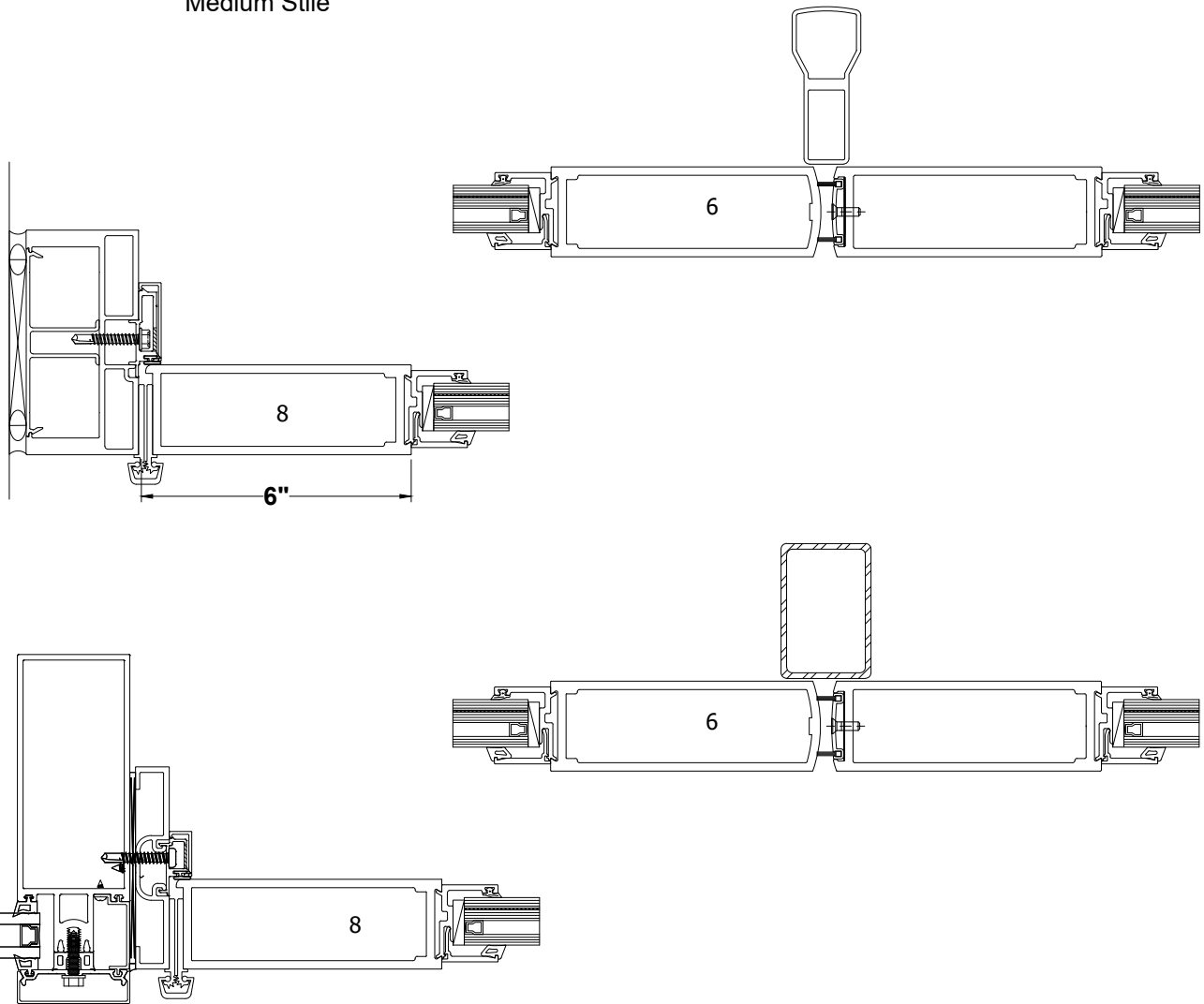
For more options, visit our website at www.tubeliteinc.com/forcefront-storm-monumental-medium-stile-entrance

Tubelite reserves the right to change system configuration without prior notice when deemed necessary for product improvements.

Laws and building & safety codes governing the design and use of glazed entrance, window and curtain wall systems vary widely. Tubelite does not control the selection of product configurations, operating hardware or glazing materials, and assumes no responsibility thereof.



Optional Details
1/4 scale



April 2021

TUBELITE[®]
DEPENDABLE
LEADERS IN ECO-EFFICIENT STOREFRONT,
CURTAINWALL AND ENTRANCE SYSTEMS

For specific product applications, contact your Tubelite representative.
Details on this page represent standard details found on our website.

For more options, visit our website at www.tubeliteinc.com/forcefront-storm-monumental-medium-stile-entrance